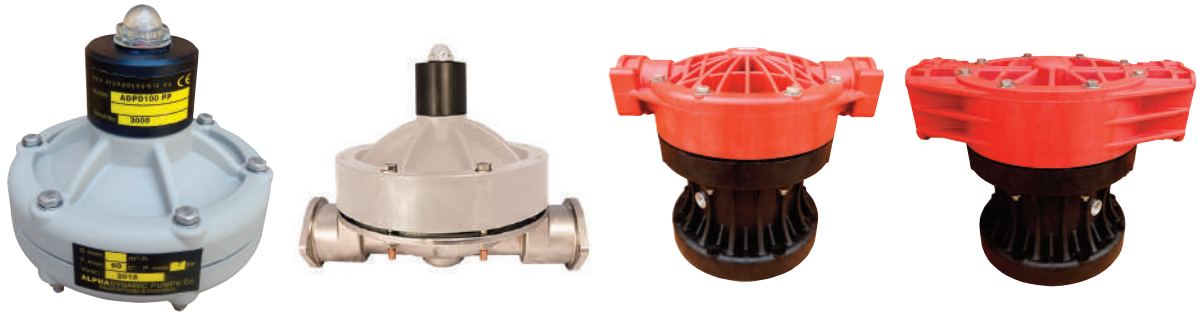


Available in PP, PVDF, ALUMINUM, AISI316, PPS-V



- ✓ Automatic dampening control
- ✓ Suitable for demanding applications
- ✓ Use in potentially-explosive atmospheres (ATEX Certifications)
- ✓ Use in environments subject to high humidity
- ✓ Actuated using non lubricated air 2 ÷ 7 BAR
- ✓ Range of construction materials ensures correct fluid compatibility
- ✓ User-Friendly parts replacement and maintenance.
- ✓ Excellent performance and value for money.

**ADPD dampeners** can be used with liquids having high apparent viscosity even if containing suspended solids of considerable size and they automatically adapt to system conditions without the need for manual adjustment or calibration.

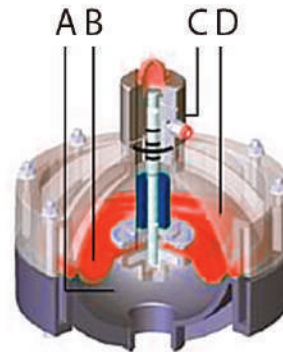
The ability to minimize pulsations, vibrations and water hammer means that this component provides excellent protection and smooth system flow.

The huge choice of construction materials allows selection of optimum chemical compatibility with the fluid and/or environment without neglecting the temperature range. Dampeners are also available for use in potentially explosive atmospheres (ATEX certification).

Diaphragm pulsation dampeners consist of a pneumatic actuator connected to the diaphragm. The sturdy outer body forms the actuator's compressed-air chamber for suppressing pressure surges on one side of the diaphragm and the chamber through which the fluid flows on the other

- A = Fluid side body
- B = Diaphragm
- C = Automatic pneumatic valve
- D = Air side body

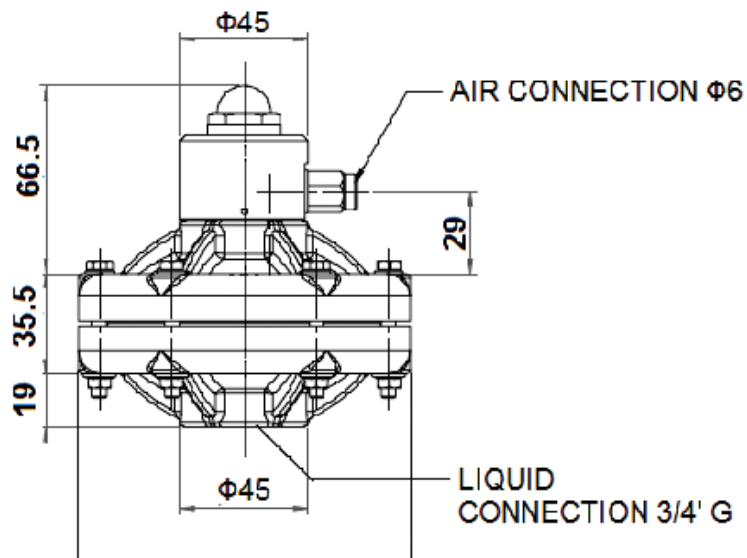
Max. operating temperature  
 PP min +3°C/max +65°C  
 PVDF min +3°C/max +95°C  
 PPS-V min +3°C/max +95°C  
 AISI 316 min +3°C/max +95°C  
 Aluminum min +3°C/max +95°C



ADPD Model	Material	Air connection	Liquid connection	Pump Model	Weight
ADPD 100	PP-PPS-PVDF AISI316	Φ 6 mm	3/4"-1/2" AISI316	Mini 005,017, Ruby 010 /012	P -PVD -PPSV: 0.5Kg AISI316: 1.3Kg
ADPD 200	PP-PPS-PVDF AISI316	Φ 6 mm	1"	Ruby 015 / 020 , Ruby 115 / 120	PP: 1.5 Kg - PVDF - PPS: 1.7 Kg AISI316 : 2.5 Kg
ADPD 300	PP-PPS-PVDF AISI316	Φ 6 mm	1 1/2"	Ruby 025 / 040 , Ruby 125 / 140	PP:3.8 Kg - PVDF - PPS :4.5 Kg AISI316 : 7.5 Kg
ADPD 400	PP-PVDF-ALU-AISI316	Φ 8 mm	2"	Ruby 050 / 051/ 150	PP: 23 Kg - PVDF: 29 Kg AISI316: 32 Kg
ADPD 500	PP-PVDF-ALU	Φ 8 mm	3"	Ruby 080 / Ruby 081	PP: 23 Kg - PVDF - ALU: 29 Kg

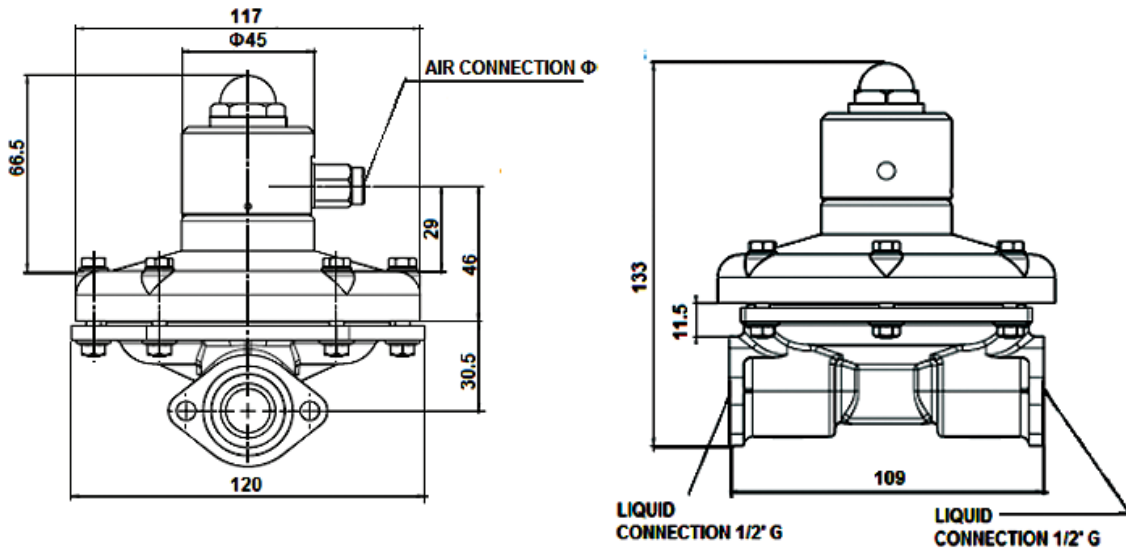
## Dimensions

### ADPD 100 Not Metallic

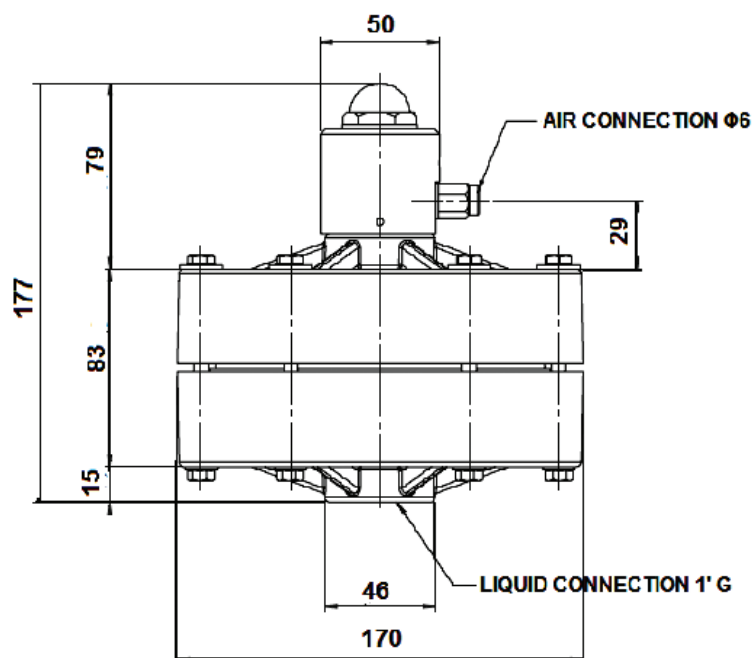


## Dimensions

### ADPD 100 Metallic

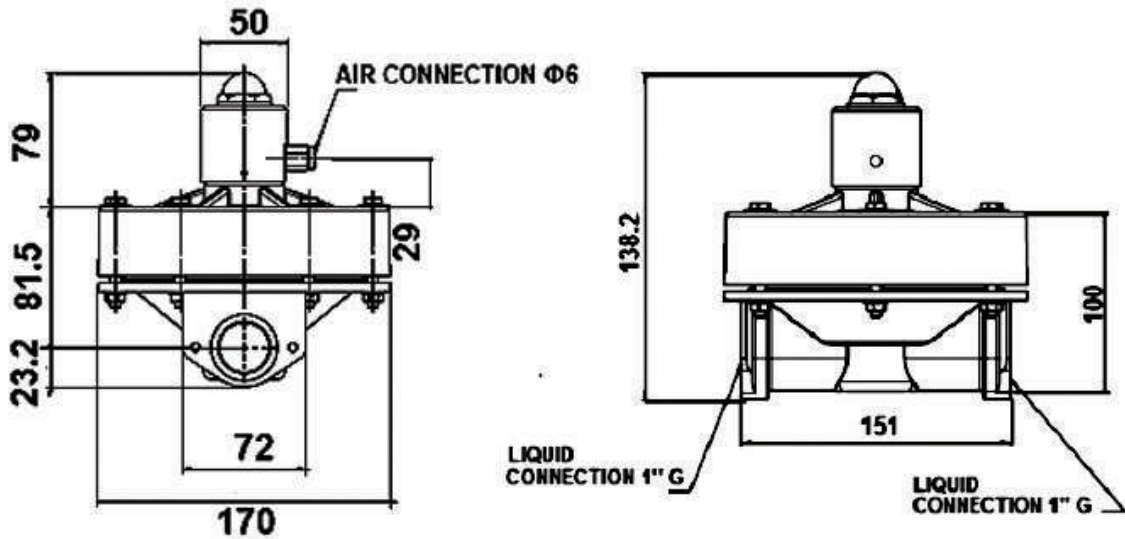


### ADPD 200 Not Metallic

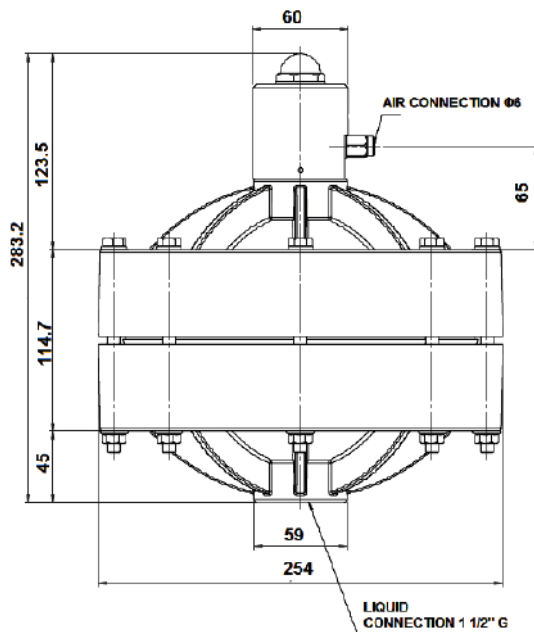


## Dimensions

### ADPD 200 Metalic

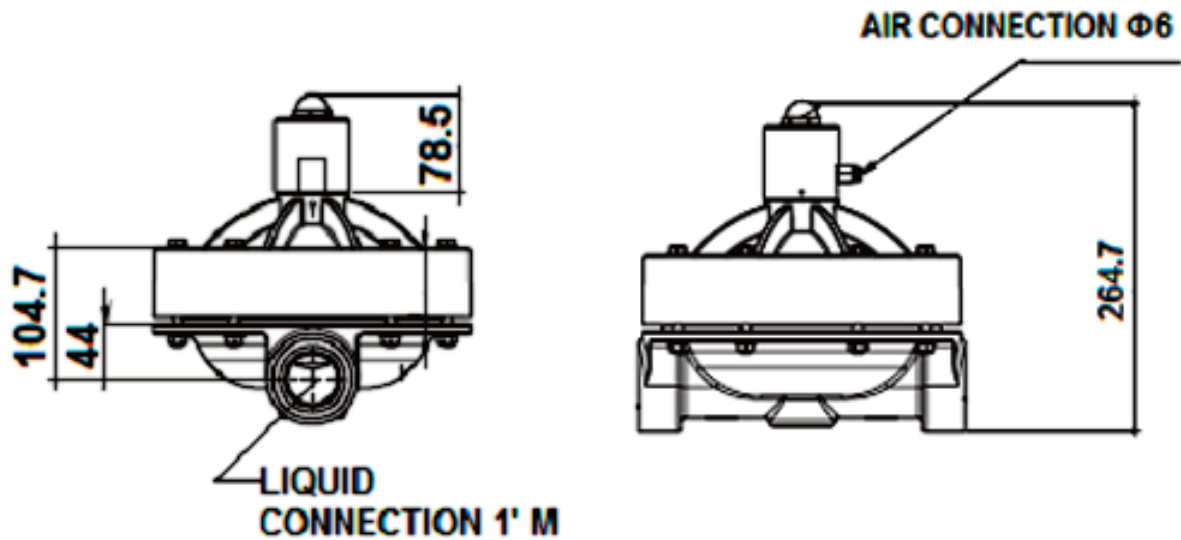


### ADPD 300 NOT Metalic

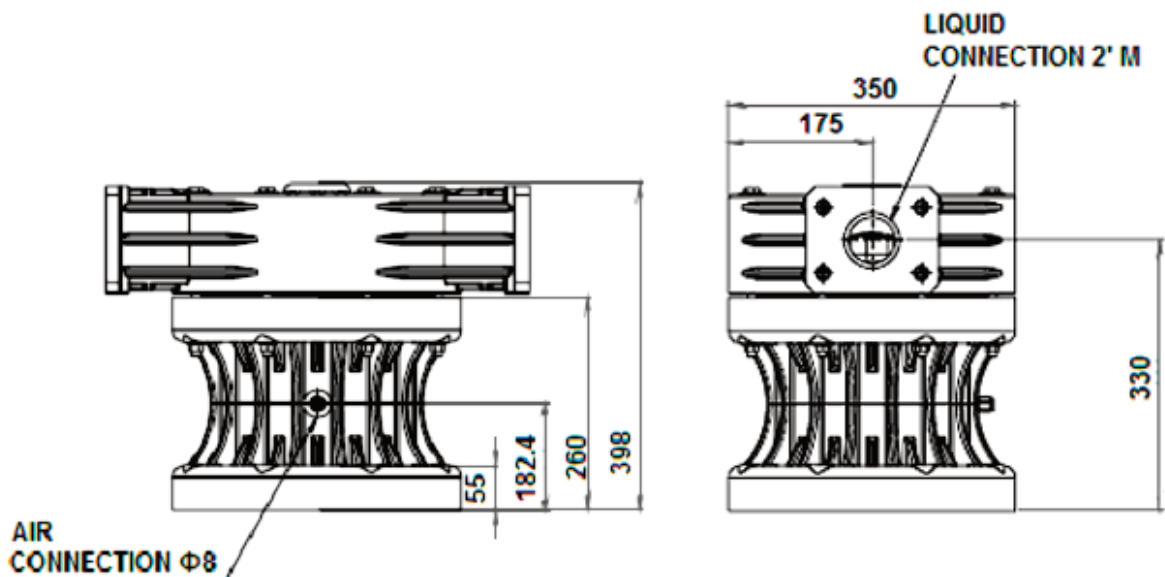


## Dimensions

ADPD 300 Metallic

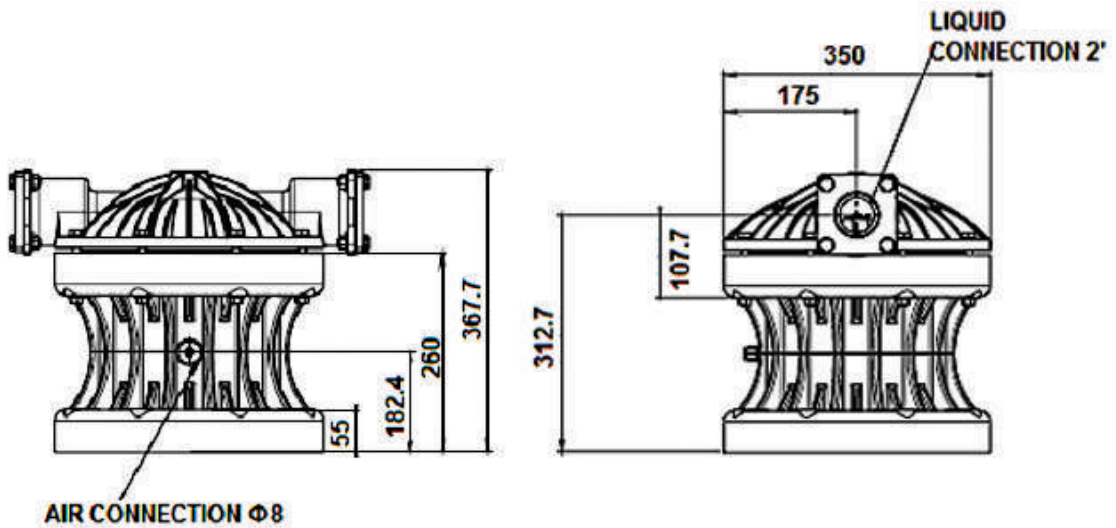


ADPD 400 NOT METALIC

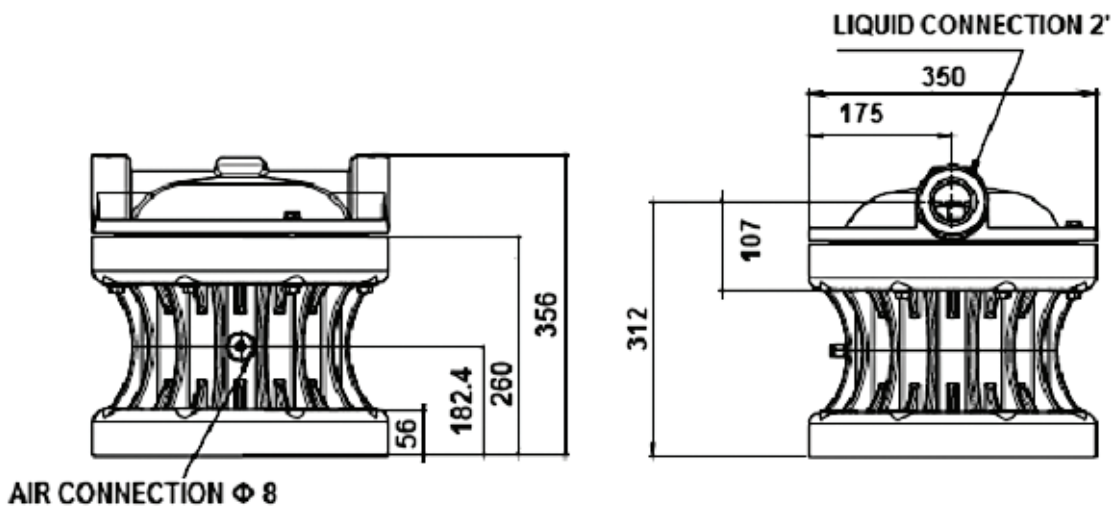


## Dimensions

### ADPD 400 METALIC - ALUMINUM

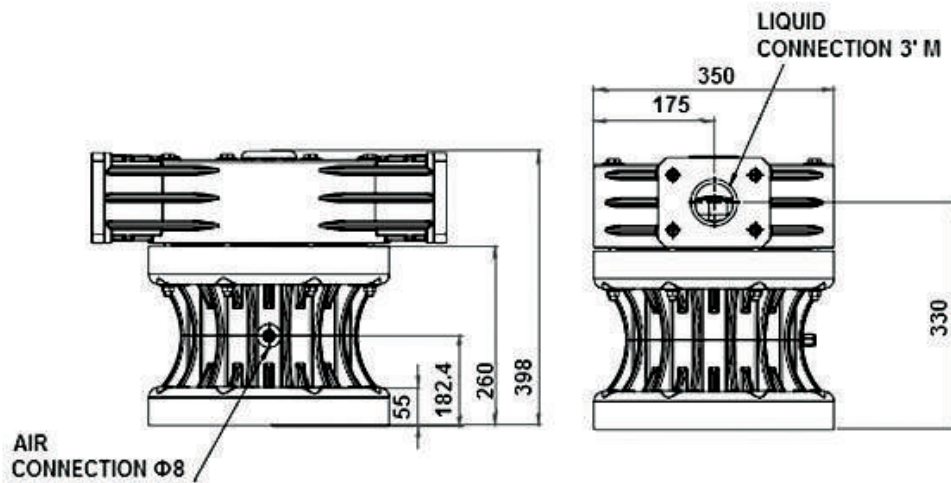


### ADPD 400 METALIC - AISI316

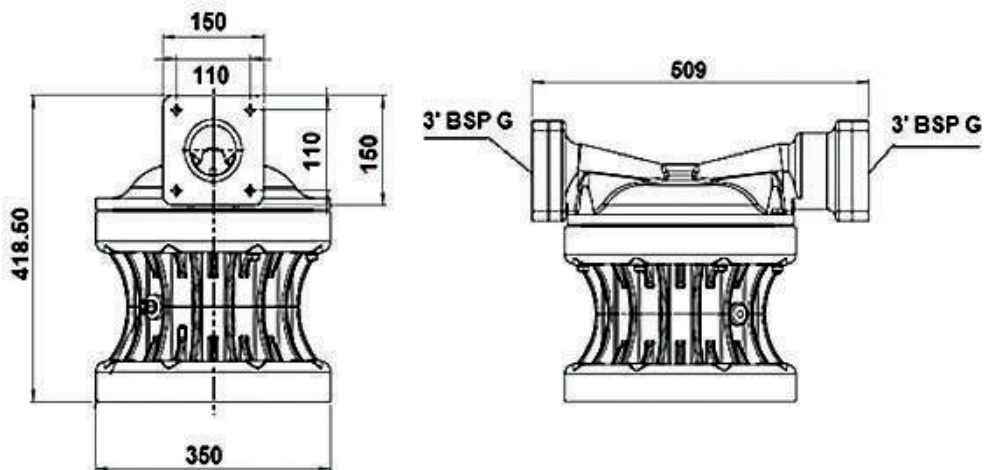


## Dimensions

### ADPD 500 NOT METALIC



### ADPD 500 METALIC - ALUMINUM





**ALPHADYNAMIC PUMPS Co**

**England Sales office:**

Rockleigh House, 37 Burton Road  
Ashby de la Zouch, Leicestershire  
LE65 2LF - United Kingdom (UK)  
Registered in ENGLAND & WALES  
Registration number 09706219 - VAT No.GB220393343  
Tel +44 1213 680 324, +44 1213 680472  
email:sales@alphadynamicpumps.co.uk  
www.alphadynamicpumps.co.uk

**Hellas Production Facilities Unit 1**

3 Eleftherias Str Industrial Park of Kifisia  
14564 - Kifisia - Hellas  
VAT No. EL 999695309  
Tel +30 210 4200 338, +30 210 4200 422  
Fax +30 211 268 68 37  
email: info@alphadynamic.eu  
www.alphadynamic.eu

**Hellas Production Facilities Unit 2**

30 Seneka str Industrial Park of Kifisia  
14564 - Kifisia - Greece  
Tel +30 215 215 9152  
email: sales@rubypump.com