

Ruby 012

Construction materials: **PP - PVDF- PP+CF**

New pump line with a brand new designing that offers reinforced pumping potentials. The updated designing provides even bigger performance provided with economy.



Benefits

- Optimal performance
- Economical air consumption, ecological designing
- High efficiency for pressure/capacity
- Oil free operation
- No freezing
- New air valve designing, fully controlled air passing
- Easy disassembling and re-assembling
- Potential to be submersible (on request)
- Possibility to be used in dirty environments due to their closed designing
- Easy manifold reverse
- Automatic suction
- Twin manifold option (two suction and two delivery)
- Excellent performance and value for money
- Ideal for abrasive, viscous, and shear sensitive media

Ruby 012 composition codes

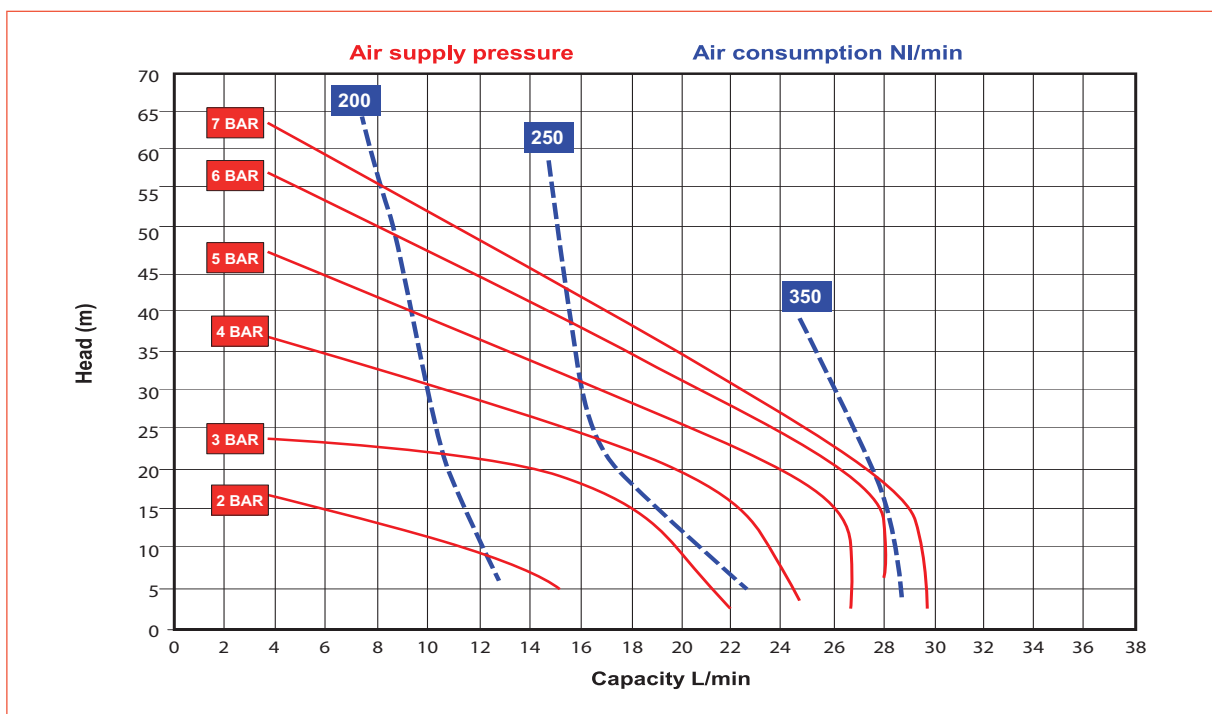
Pump model	Body	Center block	Diaphragms	Valve Seats	Balls	O-ring	Other options
Ruby 012	P: PP V: PVDF+CF PC: PP+CF	P: PP PC: PP+CF	ST: PTFE+back up (Santoprene) HT: PTFE+back up (Hytrel)	P: PP V: PVDF	T: PTFE	N: NBR F: FKM T: PTFE E: EPDM	D: Twin Manifold

Technical data

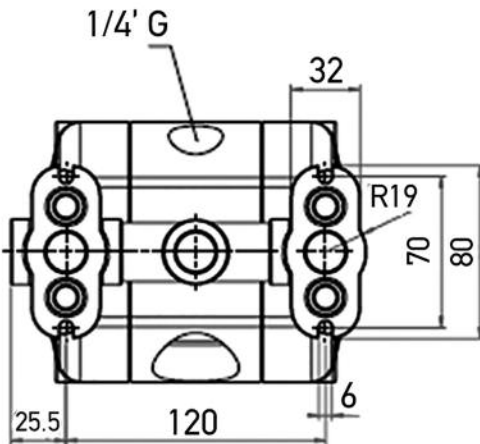
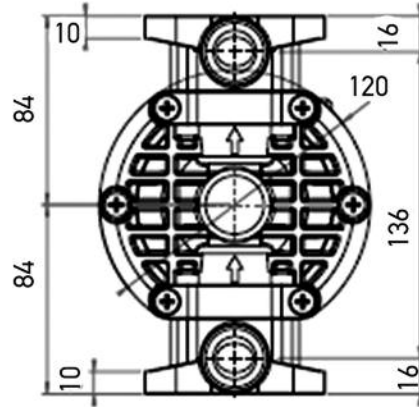
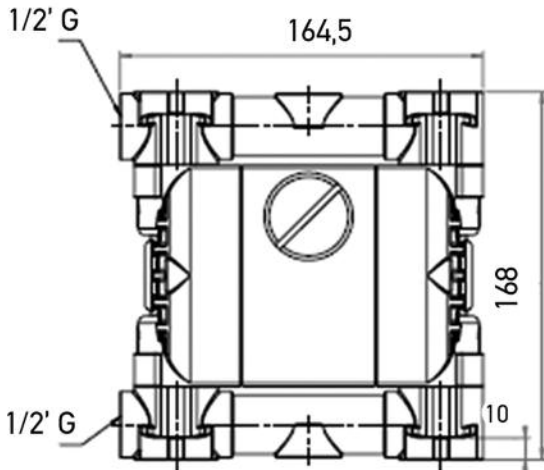
ATEX certification	II 2 GD c IIB T4
Construction materials	PP, PVDF, PP+CF
Diaphragms	SANT+PTFE, HYTREL+PTFE
Intake/delivery connections	G 1/2"
Air connection	1/4"
Max. self-priming capacity	4 m
Max. flow rate	30 L/min
Max. head	70 m
Max. air supply pressure	7 bar
Max solid size (diameter)	2 mm
Max. operating temp.	PP 60°C, PVDF 95°C, P,P+CF 60°C
Weight PP , PP+CF	1,6 Kg
Weight PVDF	1,9 Kg

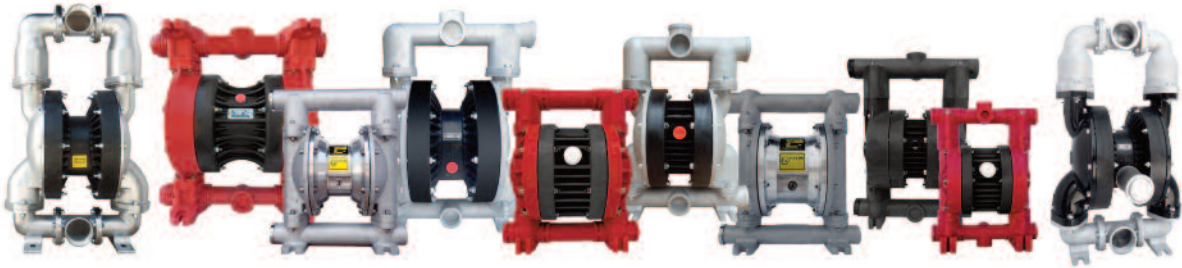
* The curves and performance values refer to pumps with submerged suction and a free delivery outlet with water at 20°C, and vary according to the construction material.

Performance Ruby 012



Dimensions





ALPHADYNAMIC PUMPS Co

England Sales office:

Rockleigh House, 37 Burton Road
Ashby de la Zouch, Leicestershire
LE65 2LF - United Kingdom (UK)
Registered in ENGLAND & WALES
Registration number 09706219 - VAT No.GB220393343
Tel +44 1213 680 324, +44 1213 680472
email:sales@alphadynamicpumps.co.uk
www.alphadynamicpumps.co.uk

Hellas Production Facilities Unit 1

3 Eleftherias Str Industrial Park of Kifisia
14564 - Kifisia - Hellas
VAT No. EL 999695309
Tel +30 210 4200 338, +30 210 4200 422
Fax +30 211 268 68 37
email: info@alphadynamic.eu
www.alphadynamic.eu

Hellas Production Facilities Unit 2

30 Seneka str Industrial Park of Kifisia
14564 - Kifisia - Greece
Tel +30 215 215 9152
email: sales@rubypump.com