

## Ruby 051

Construction materials: **PP – PVDF – PP+CF**

New pump line with a brand new designing that offers reinforced pumping potentials. The updated designing provides even bigger performance provided with economy.



## Benefits

- Optimal performance
- Economical air consumption, ecological designing
- High efficiency for pressure/capacity
- Oil free operation
- No freezing
- New air valve designing, fully controled air passing
- Easy disassembling and re-assembling
- Potential to be submersible (on request)
- Possibility to be used in dirty environments due to their closed designing
- Easy manifold reverse
- Automatic suction
- Twin manifold option (two suction and two delivery)
- Excellent performance and value for money
- Ideal for abrasive, viscous, and shear sensitive media



## Ruby 051 composition codes

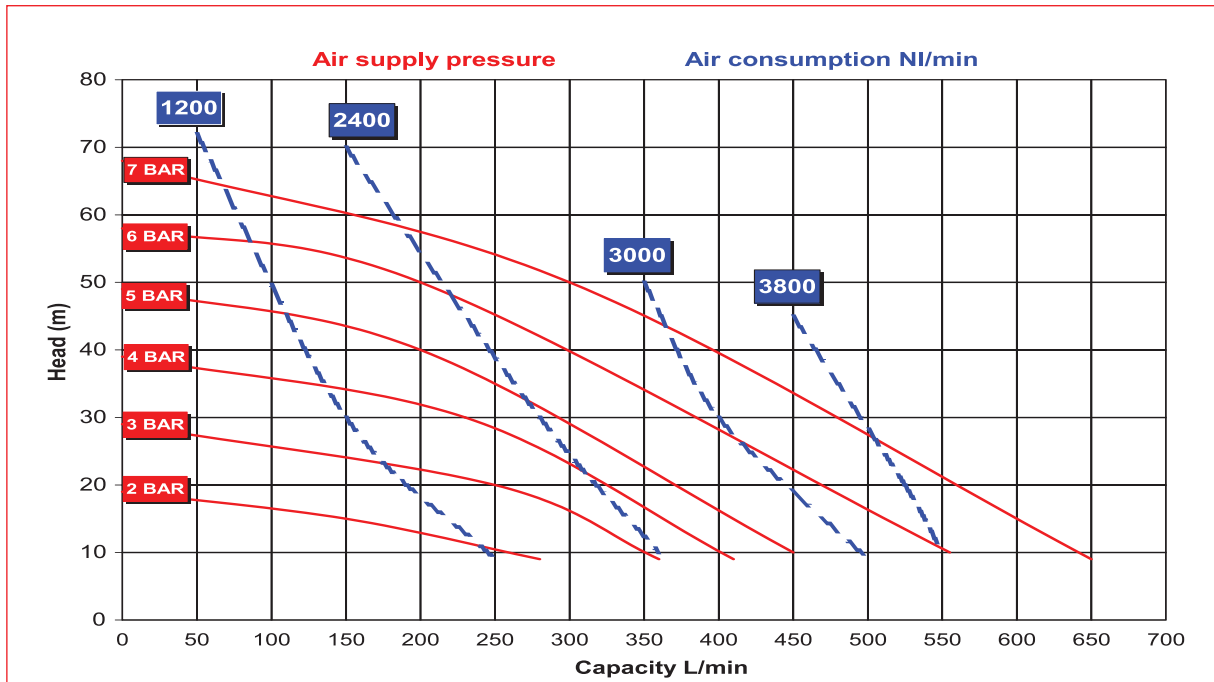
Pump model	Body	Center block	Diaphragms	Valve Seats	Balls	O-ring	Other options
Ruby 051	P: PP V: PVDF+CF PC: PP+CF	P: PP PC: PP+CF	N: NBR E: EPDM ST: PTFE+back up (Santoprene) HT: PTFE+back up (Hytrel)	P: PP V: PVDF	N: NBR E: EPDM T: PTFE	N: NBR F: FKM T: PTFE E: EPDM	D: Twin Manifold F: Flange PN10/ANSI/JIS

## Technical data

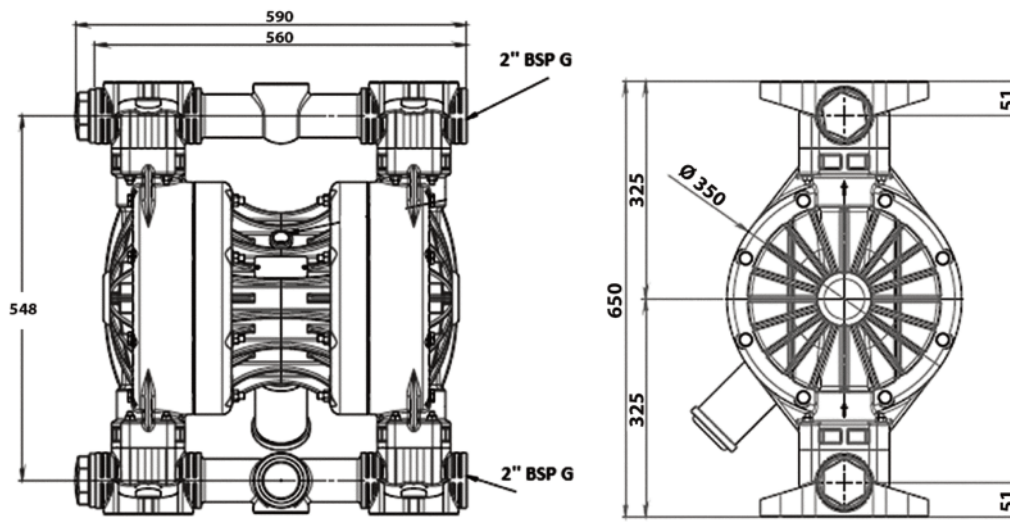
ATEX certification	II 2 GD c IIB T4
Construction materials	PP, PVDF, PP+CF
Diaphragms	PTFE+SANTOPRENE, PTFE+HYTREL, NBR-BUNA, EPDM
Intake/delivery connections	2" BSP G - Flange on Request
Air connection	3/4"
Max. self-priming capacity	5 m
Max. flow rate	650 l/min
Max. head	70 m
Max. air supply pressure	7 bar
Max solid size (diameter)	8 mm
Max. operating temp.	PP 60°C, PVDF 95°C, P,P+CF 60°C
Weight PP	38 Kg
Weight PVDF	45 Kg

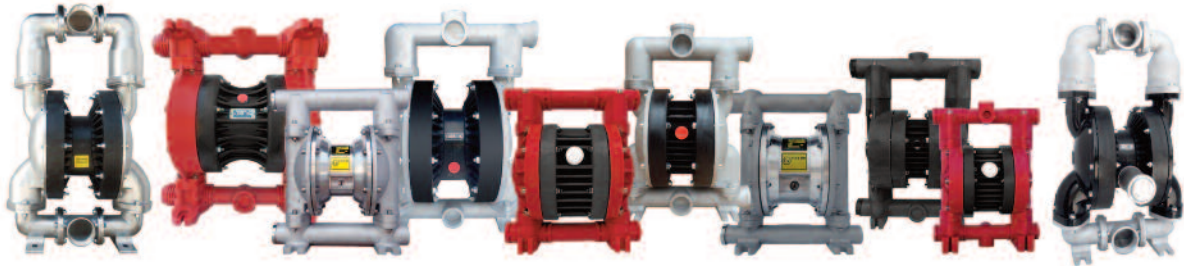
\* The curves and performance values refer to pumps with submerged suction and a free delivery outlet with water at 20°C, and vary according to the construction material.

## Performance Ruby 051



## Dimensions Ruby 051





## ALPHADYNAMIC PUMPS Co

### England Sales office:

Rockleigh House, 37 Burton Road  
Ashby de la Zouch, Leicestershire  
LE65 2LF - United Kingdom (UK)  
Registered in ENGLAND & WALES  
Registration number 09706219 - VAT No.GB220393343  
Tel +44 1213 680 324, +44 1213 680472  
email:sales@alphadynamicpumps.co.uk  
www.alphadynamicpumps.co.uk

### Hellas Production Facilities Unit 1

3 Eleftherias Str Industrial Park of Kifisia  
14564 - Kifisia - Hellas  
VAT No. EL 999695309  
Tel +30 210 4200 338, +30 210 4200 422  
Fax +30 211 268 68 37  
email: info@alphadynamic.eu  
www.alphadynamic.eu

### Hellas Production Facilities Unit 2

30 Seneka str Industrial Park of Kifisia  
14564 - Kifisia - Greece  
Tel +30 215 215 9152  
email: sales@rubypump.com