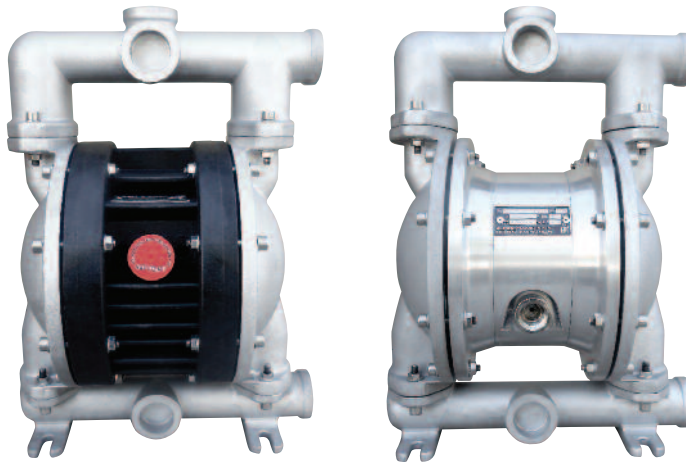


Ruby 125

Construction materials: **ALUMINIUM**

New pump line with a brand new designing that offers reinforced pumping potentials. The updated designing provides even bigger performance provided with economy.



II 2 GD c IIB T4
Baseefa15ATEX13DR



Benefits

- Optimal performance
- Economical air consumption, ecological designing
- High efficiency for pressure/capacity
- Oil free operation
- No freezing
- New air valve designing, fully controled air passing
- Easy disassembling and re-assembling
- New generation diaphragms with embodied inner-outer piston
- New generation PTFE diaphragms of embodied type for long-life operation (compound)
- Advanced quality Full capacity PTFE-A diaphragms for high chemical and mechanical applications
- Potential to be submersible (on request)
- Possibility to be used in dirty environments due to their closed designing
- Easy manifold reverse
- Automatic suction
- Twin manifold option (two suction and two delivery)
- Excellent performance and value for money
- Ideal for abrasive, viscous, and shear sensitive media

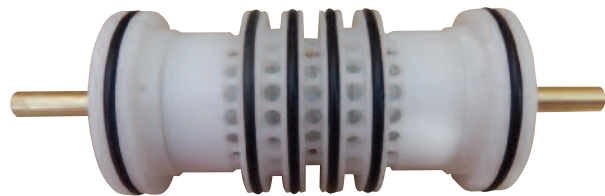
Ruby 125 composition codes

| Pump model | Body | Center block | Diaphragms | Valve Seats | Balls | O-ring | Other options |
|------------|---------------------|--|---|--|---|--|---|
| Ruby 125 | A: Aluminium | P: PP PC: PP+CF A: Aluminum | N: NBR Conductive E: EPDM Conductive P: PP PC: PP+CF A: Aluminum | N: NBR E: EPDM P: PP T: PTFE V: PVDF A: Aluminium S: AISI 316 | N: NBR E: EPDM T: PTFE S: AISI 316 | N: NBR F: FKM T: PTFE E: EPDM | D: Twin Manifold F: Flange PN10/ANSI/JIS |

Ruby Innovative oil free air valve

The heart of the Ruby pump is our innovative, new design air valve. In respect for New Era demands, to create and offer High Quality product, with high interest for the environment and it's protection, the Air Valve of the Ruby Diaphragm Pumps has been created to offer:

- ✓ Oil free operation
- ✓ Low need for maintenance
- ✓ Not affected by minor contamination of compressed air
- ✓ Significant energy saving
- ✓ Non freezing operation
- ✓ External environment operation
- ✓ No dead centre
- ✓ Long life
- ✓ Reliability



Advance unified diaphragms featuring:

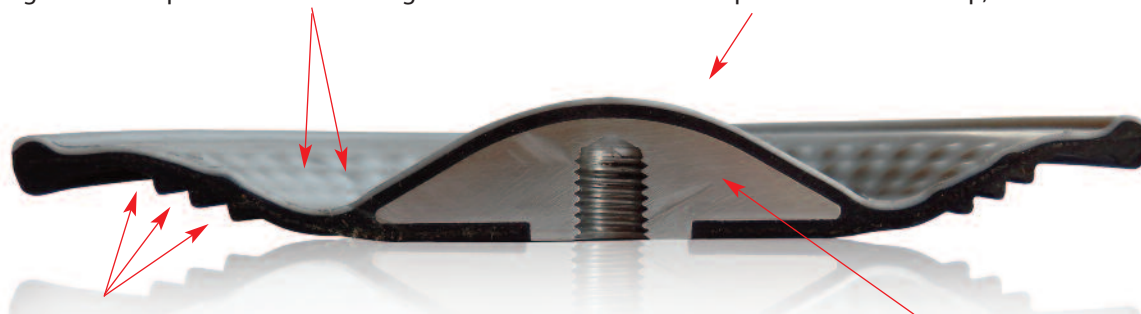
- ✓ Easy installation and maintenance
- ✓ Excellent service life
- ✓ Inventory cost reduction
- ✓ Improved performance
- ✓ Greater displacement per cycle
- ✓ No center hole, elimination of potential leak paths.
- ✓ There is no need for the main axis to be insured
- ✓ They can be screwed and unscrewed without the use of tools



Advance Unified Diaphragm offers:

The prominences decrease the stretching of the PTFE during the regression and prevent it from cracking.

Innovative conical shape ideal for optimal performance and life, low pressure requirements for start-up, ideal suction



Innovative diaphragm support side, offers flexibility, long life and protects from cavitation

Special internal plate supports your diaphragm in every movement

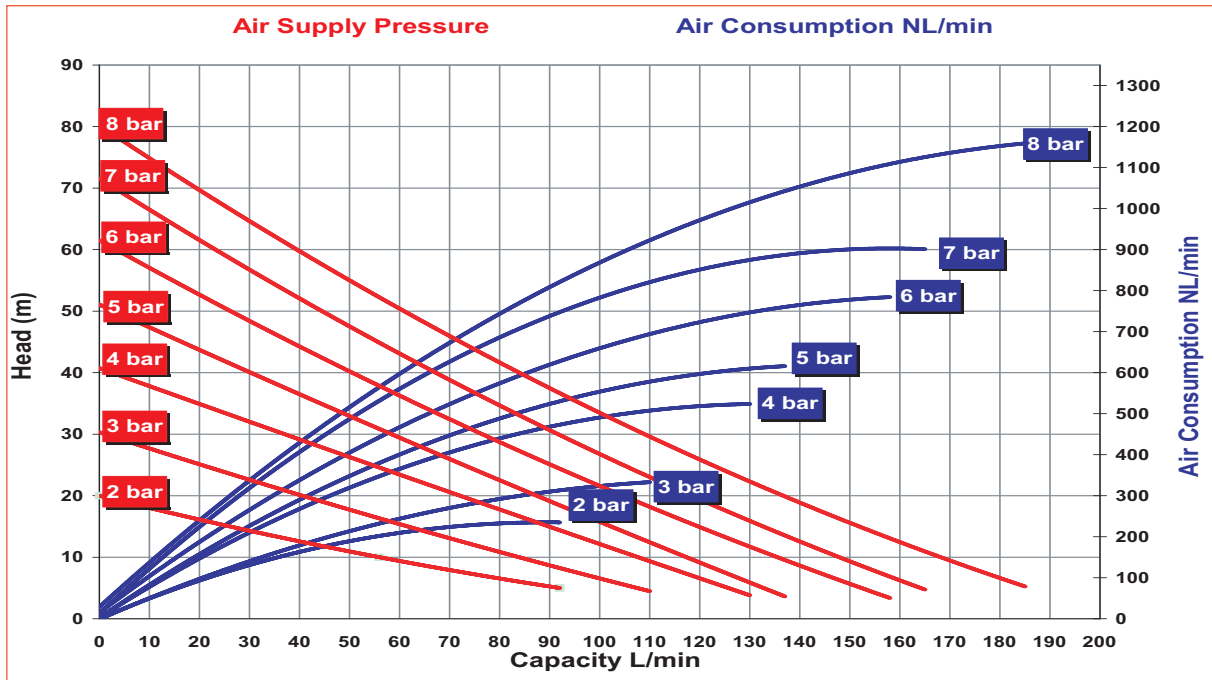
Technical data

| | |
|-----------------------------|---|
| ATEX certification | II 2 GD c IIB T4 |
| Construction materials | ALUMINIUM |
| Diaphragms | NBR Conductive EPDM Conductive Compound PTFE+Back up EPDM Conductive Compound PTFE A+Back up EPDM Conductive |
| Intake/delivery connections | 1" BSP G -Flange on Request |
| Air connection | ½" |
| *Max. self-priming capacity | 5m |
| *Max. flow rate | 185 l/min |
| Max. head | 80 m |
| Max. air supply pressure | 8 bar |
| Diameter | 3,5 mm |
| Max. operating temp. | 95°C & 130°C with Metallic center block |
| Weight Aluminium | 8 kg |

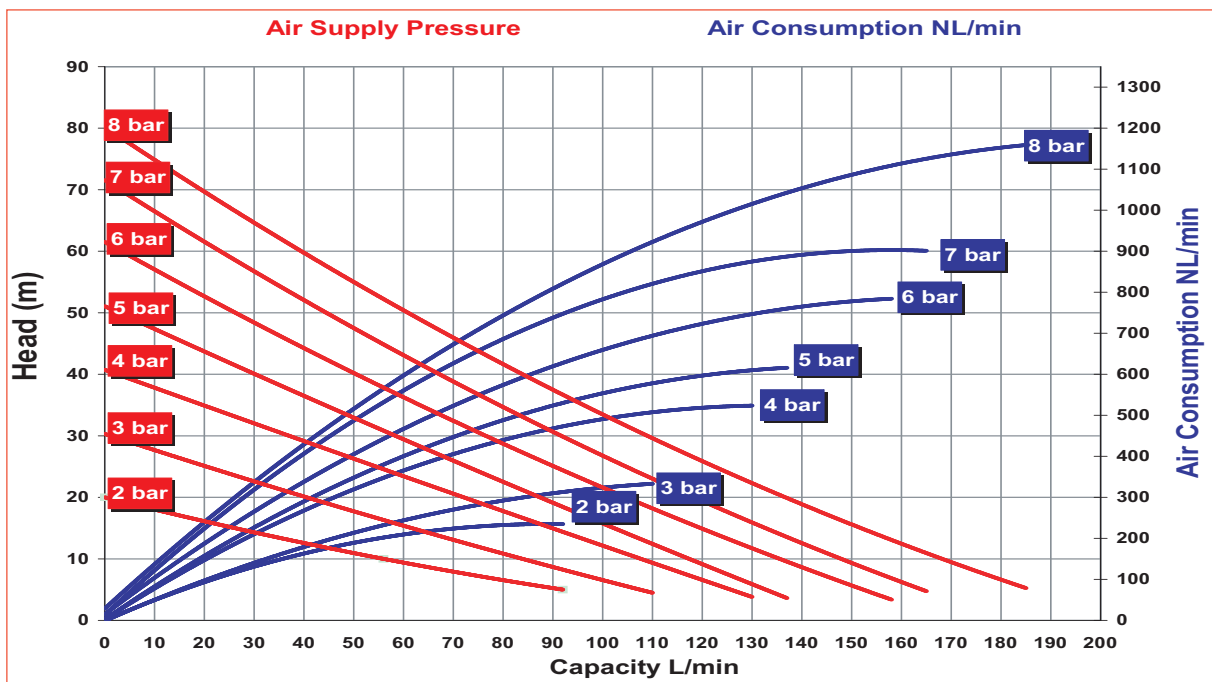
* The curves and performance values refer to pumps with submerged suction and a free delivery outlet with water at 20°C, and vary according to the construction material.

Performance

RUBY 125 - FULL CAPACITY PTFE - A FITTED

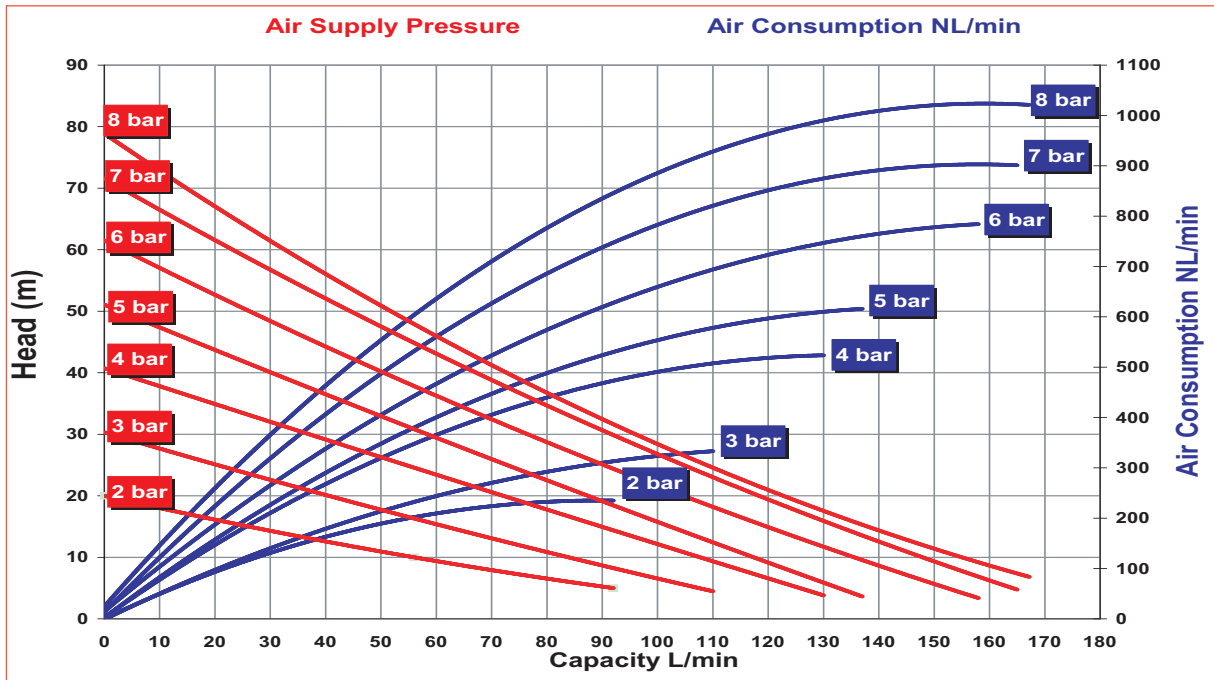


RUBY 125 - RUBBER FITTED

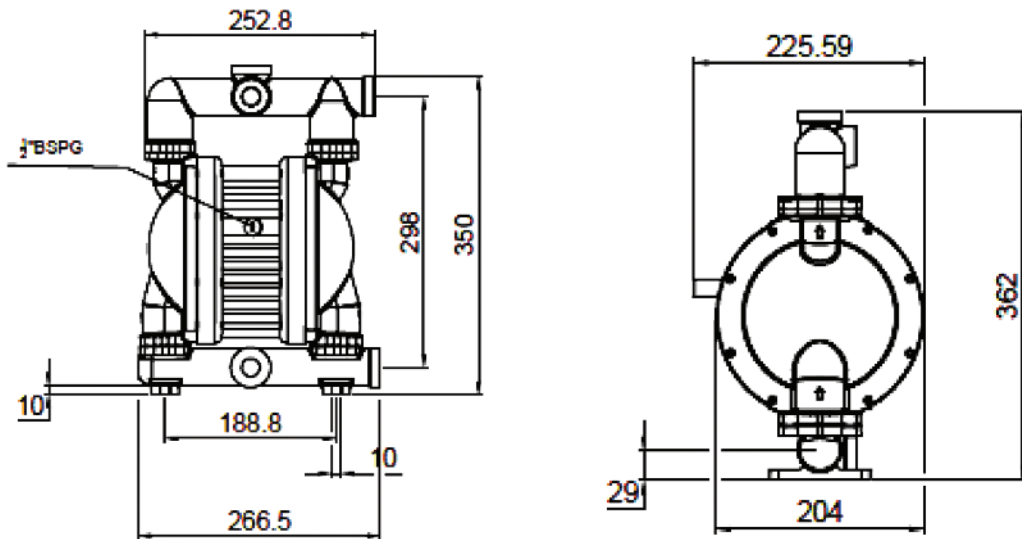


Performance

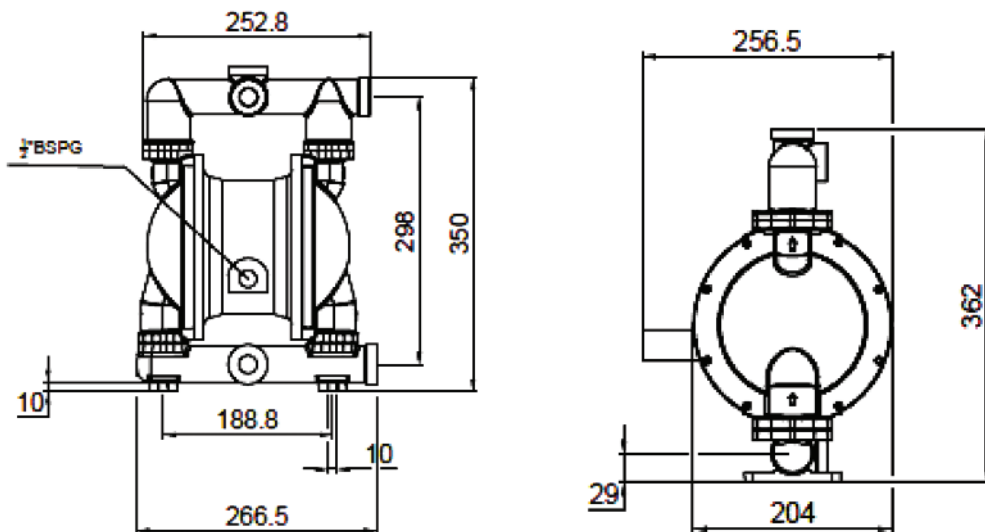
RUBY 125 - PTFE FITTED

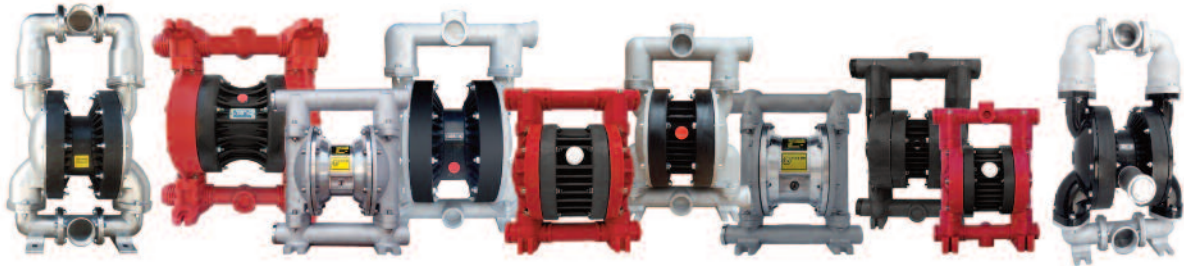


Dimensions Aluminum / not metallic central block



Dimensions Aluminum / Metallic central block





ALPHADYNAMIC PUMPS Co

England Sales office:

Rockleigh House, 37 Burton Road
Ashby de la Zouch, Leicestershire
LE65 2LF - United Kingdom (UK)
Registered in ENGLAND & WALES
Registration number 09706219 - VAT No.GB220393343
Tel +44 1213 680 324, +44 1213 680472
email:sales@alphadynamicpumps.co.uk
www.alphadynamicpumps.co.uk

Hellas Production Facilities Unit 1

3 Eleftherias Str Industrial Park of Kifisia
14564 - Kifisia - Hellas
VAT No. EL 999695309
Tel +30 210 4200 338, +30 210 4200 422
Fax +30 211 268 68 37
email: info@alphadynamic.eu
www.alphadynamic.eu

Hellas Production Facilities Unit 2

30 Seneka str Industrial Park of Kifisia
14564 - Kifisia - Greece
Tel +30 215 215 9152
email: sales@rubypump.com